



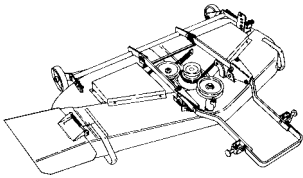
**N42, P42, RM42 ROTARY MOWER  
 SB38Y, T82, R82, S82 SNOWCASTER  
 UB38, 152, M52 UTILITY BLADE  
 BG42, B97, B96SA BAGGER**

**Parts Catalog 8-2982**

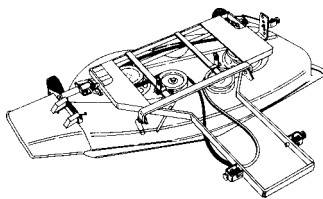
**INDEX**

**PAINT**

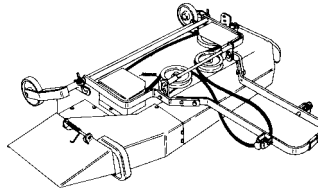
**GENERAL INFO**



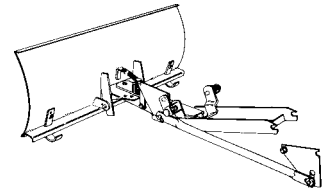
**N42**



**N43**



**P42**



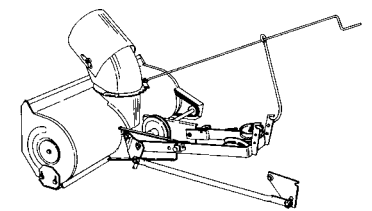
**UB38, L52, M52**

**ATTACHMENT APPLICATION CHART**

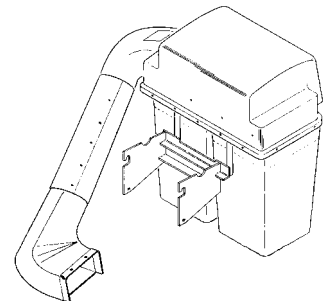
**TRACTOR**

**ATTACHMENT**

	BG42 S96SA	RM42 N42 P42	N43	SB38Y R82 S82 T82	UB38 152 M52	B97
108 PIN 14031940 and after					X	
110 PIN 14032840 and after	X <sup>4</sup>		X <sup>1</sup>	X	X	X <sup>3</sup>
111	X <sup>4</sup>		X	X	X	X <sup>3</sup>
112,114	X <sup>4</sup>	X	X	X	X	X <sup>3</sup>
116 PIN 14047500 to 14066900	X <sup>4</sup>	X <sup>2</sup>	X <sup>1</sup>	X	X	X <sup>3</sup>
116 PIN 1406690 and after	X <sup>4</sup>	X	X	X	X	X <sup>3</sup>
1012, 1014	X <sup>4</sup>	X	X	X	X	X <sup>3</sup>



**SB38Y, T82, R82, S82**



**B97, BG42, B96SA**

1. Also requires C29674 cover kit.
2. Also requires C29671 cover kit.
3. To be used with N43 only.
4. To be used with P42 and RM42 only.

**INDEX**

There is an index at the front of this catalog. The front index is an alphabetical index of the major groups or assemblies.

**ILLUSTRATION**

Each illustration in this catalog shows a group of parts or components. These parts and components are aligned approximately as the parts and components on your machine. Each part and component in an illustration has a reference number. These reference numbers are in a list on the page opposite of the illustration. Next to the reference number is the part number, description and required quantity of the part shown in the illustration.

UAR - "Use as required" indicates that the part quantity is variable.

NSS - "Not sold separately" indicates that the part is only available as component of an assembly or the part must be purchased locally. If the part is an assembly component, the description will be indented under the assembly description in the parts list.

O/L - "Obtain locally"

- "Footnotes" are added to a part number when more information is needed for identification. They only relate to the part numbers indicated. All orders must include the following information:

1. Correct part number.

**PARTS ORDERS**

2. Complete description of part or component.
3. Total quantity of each part or component.
4. Product model number.
5. All necessary product identification numbers.
6. Method for sending the parts.
7. Complete and correct address.

**CATALOG REVISIONS**

As the product changes, new pages will be available for your catalog. A notice will be issued.

**IMPORTANT:** Put all revisions into the catalog as soon as possible.

**RIGHT HAND AND LEFT HAND IDENTIFICATION**

The words right hand (RH) and left hand (LH) as used in this catalog indicate the direction while you are in the operator's seat in the normal operating position.

**INDENTED DESCRIPTIONS**

An assembly can have many components. The components of an assembly are indicated by an indented description. The quantity for an indented part is the total needed for that complete assembly. See the example.

REF.	PART NO.	DESCRIPTION	REQ'D
	C 55159	CYLINDER ASSY - rear steering .....	1
28	C 56208	SOCKET ASSY - rear cylinder .....	1
29	C 55956	PLUG - adjusting, socket assy .....	1
30	C 55957	SEAT- socket, ball.....	2
31	C 56210	SPRING-socket .....	1
32	C 56209	SEAT - socket spring .....	1
33	G 45175	CLAMP ASSY - socket assy .....	1
	16- 836	BOLT-1/2"x2-1/4" N.F. hex.....	1
34	132- 104	PIN-cotter, 3/16"x3" .....	1
35	C 55889	STUD - ball, socket & cylinder .....	2
36	13- 410	BOLT-1/4"x5/8"N.C.,hex .....	4
37	92- 4	LOCK WASHER - 1/4"SAE .....	4

**ALPHABETICAL INDEX**

**BAGGER SECTION**

Baffles (B97)..... 33  
 Bagger Assembly (B97)..... 31  
 Bagger Assembly (B96SA, BG42)..... 35  
 Decals ..... 37

**MOWER SECTION**

Decals ..... 37  
 Model N43 ..... 5-7  
     Deck, Belt, Spindles and Blades ..... 5  
     Kits - cover ..... 15  
     Mounting Frame and Axle ..... 7  
 Model N42 ..... 9-13  
     Axle and Mounting Brackets ..... 11  
     Deck, Spindles and Blades ..... 9  
     Kits - cover ..... 15  
     Pulleys and Belts..... 13  
 Model P42, RM42..... 17-23  
     Axle and Mounting Brackets ..... 21  
     Deck and Chute ..... 17  
     Spindles, Belts, and Pulleys ..... 19

**SNOWCASTER SECTION**

Auger and Chute Assembly ..... 25  
 Decals ..... 37  
 Mounting Components and Drive System ..... 27

**UTILITY BLADE SECTION**

Decals ..... 37  
 Entire Parts List ..... 29

**INDEX**

**PAINT AND OIL**

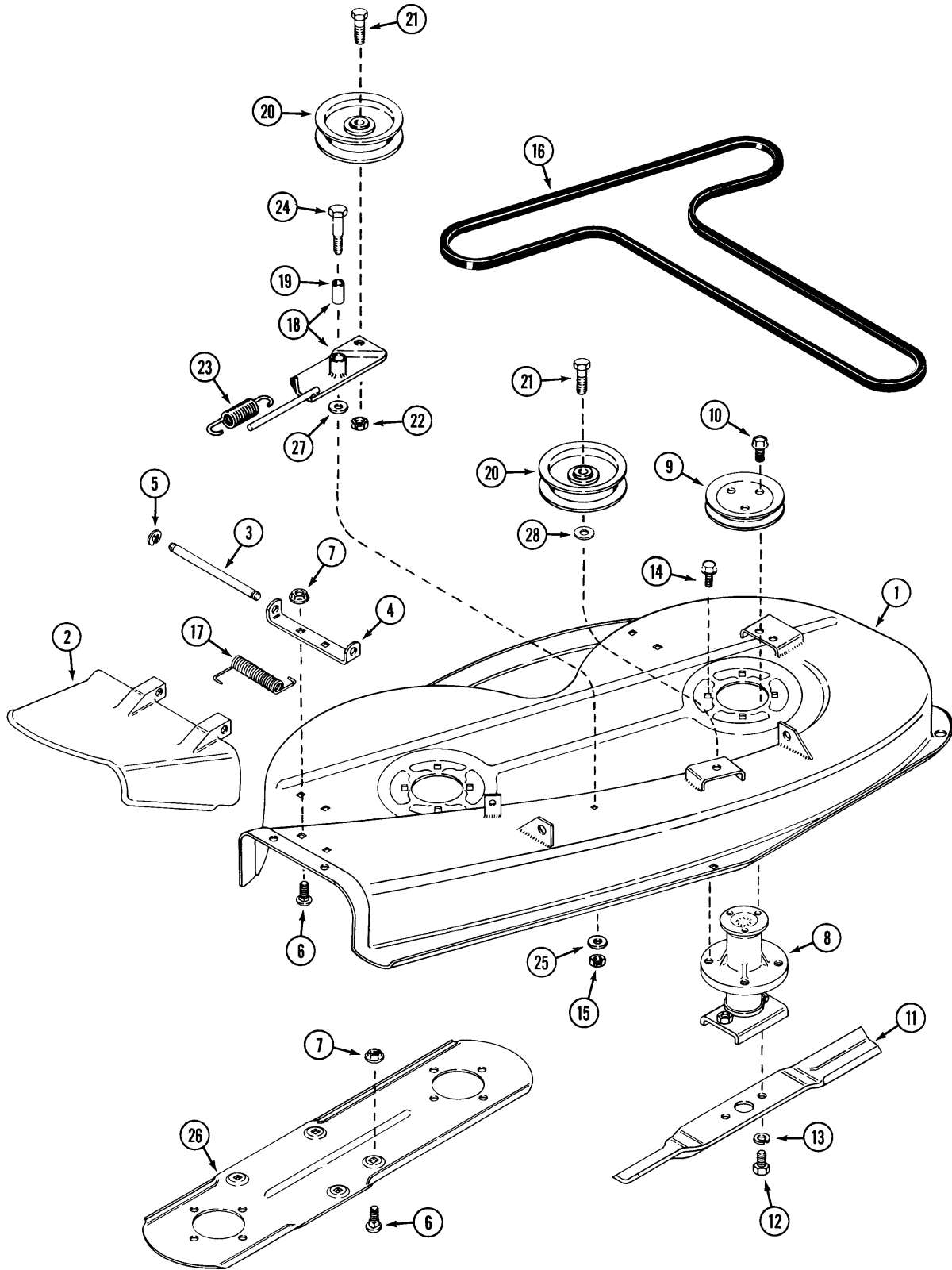
**PAINT**

REF.	PART NO.	DESCRIPTION	REQ'D
1	C 28849	BLACK - semi - gloss, 12 oz spray (2 per carton) .....	1
2	C 28850	BLACK - semi - gloss, quart (2 per carton) .....	1
3	C 28850	BLACK - semi - gloss, heat resistant, 12 oz spray (2 per carton) .....	1
4	C 28484	POWER RED - gloss, 12 oz spray (2 per carton) .....	1
5	C 28485	POWER RED - gloss, quart (2 per carton) .....	1
6	C 30870	SILVER - gloss, 12 oz. spray (2 per carton).....	1
7	C 31643	POWER RED - gloss, 1 oz touch up, (1 doz. per carton) .....	1

**OIL**

1	C 32776	OIL - SAE 30, SF, quart (12 per case) .....	1
2	C 32777	OIL - SAE 5W20, SF, quart (12 per case) .....	1
3	C 32778	OIL - SAE 20W40, SF, quart (12 per case) .....	1

N43 ROTARY MOWER

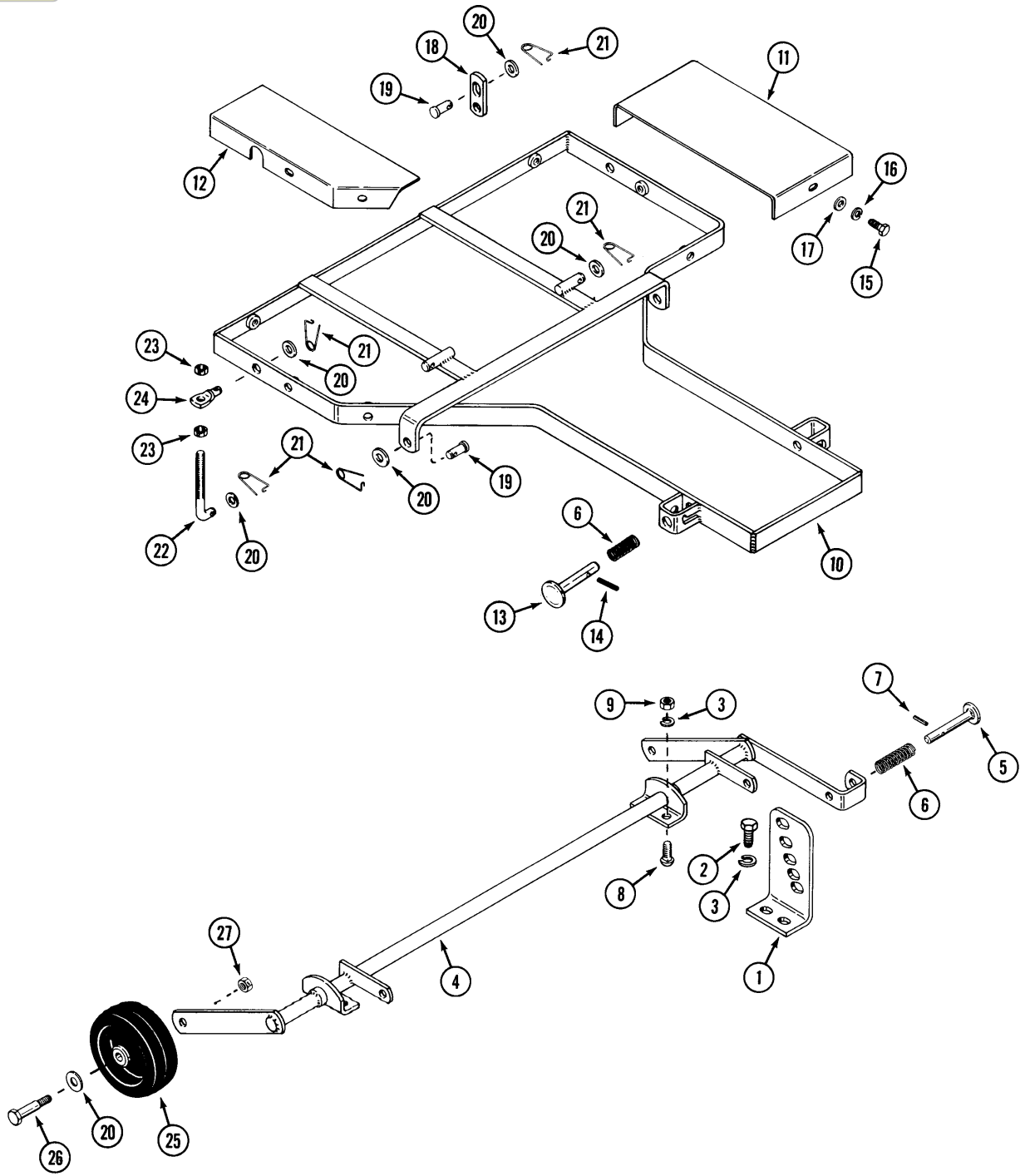


## N43 ROTARY MOWER

## DECK, BELT, DEFLECTOR AND SPINDLE ASSEMBLY

REF.	PART NO.	DESCRIPTION	REQ'D
1	C29415	DECK - mower 38" (970 mm).....	1
2	C29420	DEFLECTOR - chute .....	1
3	C29421	ROD - hinge .....	1
4	C29423	BRACKET - hinge .....	1
5	C29424	RING - retaining .....	2
6	111-132	BOLT - 5/16" x 3/4" carriage .....	6
7	131-911	NUT - 5/16" flange lock .....	6
8	C29425	SPINDLE ASSEMBLY .....	2
9	C30107	PULLEY - spindle .....	2
10	C29690	BOLT - 5/16" x 1/2" self-tapping.....	6
11	C29427	BLADE- 19.44" (493 mm).....	2
12	113-206	BOLT - 3/8"-16 x 3/4" .....	4
13	192-21	LOCKWASHER - 3/8" .....	4
14	C29691	BOLT - 5/16" x 1" self-tapping.....	8
15	131-1181	NUT - 3/8" lock .....	1
16	C29441	BELT - drive .....	1
17	C29422	SPRING - hinge .....	1
18	C30385	ARM ASSEMBLY - idler .....	1
19	C16714	BUSHING - sleeve .....	1
20	C26090	PULLEY - flat .....	2
21	113-410	BOLT - 1/2" x 1-1/2" .....	2
22	131-1308	NUT - 1/2" lock .....	1
23	C14482	SPRING - tension.....	1
24	C16745	BOLT - shoulder .....	1
25	195-2029	WASHER-3/8" .....	1
26	C29512	PLATE - reinforcement.....	1
27	C29812	WASHER - spacer .....	1
28	195-533	WASHER - spacer .....	1

# N43 ROTARY MOWER



**N43 ROTARY MOWER**

**MOUNTING FRAME AND AXLE**

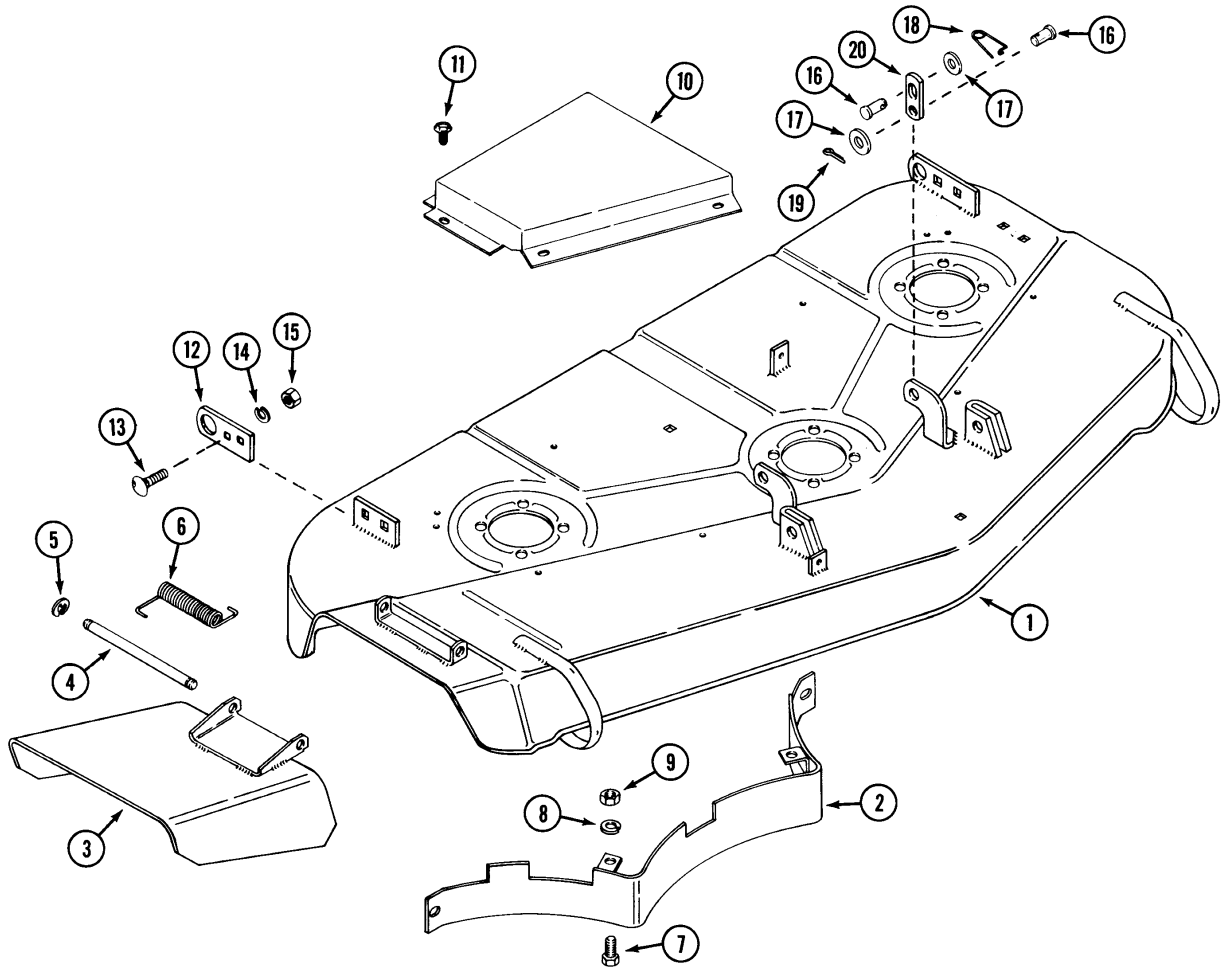
REF.	PART NO.	DESCRIPTION	REQ'D
1	C29428	BRACKET - height adjust.....	1
2	113-118	BOLT - 5/16" x 5/8" .....	2
3	192-20	LOCKWASHER - 5/16" .....	6
4	C29429	AXLE - rear .....	1
5	C20005	PIN - height adjust.....	1
6	C10482	SPRING - compression.....	3
7	138-96	PIN - roll 3/16" x 1" .....	1
8	111-132	BOLT - 5/16" x 3/4" carriage .....	4
9	129-102	NUT - 5/16".....	4
10	C29433	FRAME - mounting.....	1
11	C29442*	COVER-L.H.....	1
12	C29443*	COVER-R.H.....	1
13	C15278	PIN -latch.....	2
14	138-2073	PIN - spiral 3/16" x 1-1/4" .....	2
15	113-3	BOLT - 1/4" x 3/4" .....	6
16	195-518	LOCKWASHER - 1/4" .....	6
17	192-19	WASHER - 1/4" .....	6
18	C27096	LINK-lift.....	2
19	C10821	PIN - clevis .....	4
20	195-533	WASHER - 1/2" .....	12
21	C10898	PIN - safety .....	10
22	C19088	BOLT - "J".....	2
23	131-1182	NUT - 1/2" lock.....	4
24	C26033	LINK - adjusting.....	2
25	C26736	WHEEL - gauge .....	2
26	C16745	BOLT - shoulder.....	2
27	131-1181	NUT-3/8"- 16 lock.....	2

\* See page 15 if this mower is used on tractor models 110-all, 116 prior to PIN 14066900

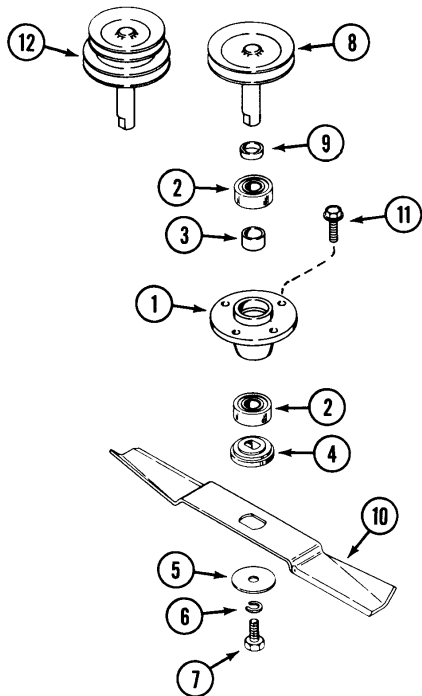


INDEX

N42 ROTARY MOWER



INDEX



**INDEX****N42 ROTARY MOWER****MOWER DECK AND CHUTE**

REF.	PART NO.	DESCRIPTION	REQ'D
1	C29445	DECK - mower 42" (1065 mm).....	1
2	C29449	BAFFLE - blade.....	1
3	C29450	DEFLECTOR - chute .....	1
4	C29421	ROD - hinge .....	1
5	C29424	RING - "E" .....	2
6	C29422	SPRING - hinge .....	1
7	113-118	BOLT - 5/16" x 5/8" .....	4
8	192-20	LOCKWASHER - 5/16" .....	4
9	129-102	NUT-5/16" .....	4
10	C29468 *	COVER - spindle L.H. ....	1
10	C29469 *	COVER - spindle R.H. (shown).....	1
11	187-1036	SCREW - 1/4" - 20 self-tapping .....	10
12	C15560	BRACKET - axle pivot.....	1
13	111-371	BOLT - 3/8" x 1" carriage .....	2
14	192-21	LOCKWASHER - 3/8" .....	2
15	129-103	NUT - 3/8" .....	2
16	C10821	PIN - clevis .....	4
17	195-533	WASHER - 1/2" .....	4
18	C10898	PIN - safety .....	2
19	132-310	PIN - cotter 1/8" x 1" .....	2
20	C27096	LINK - lift.....	2
	C30786	KIT - discharge baffle .....	1

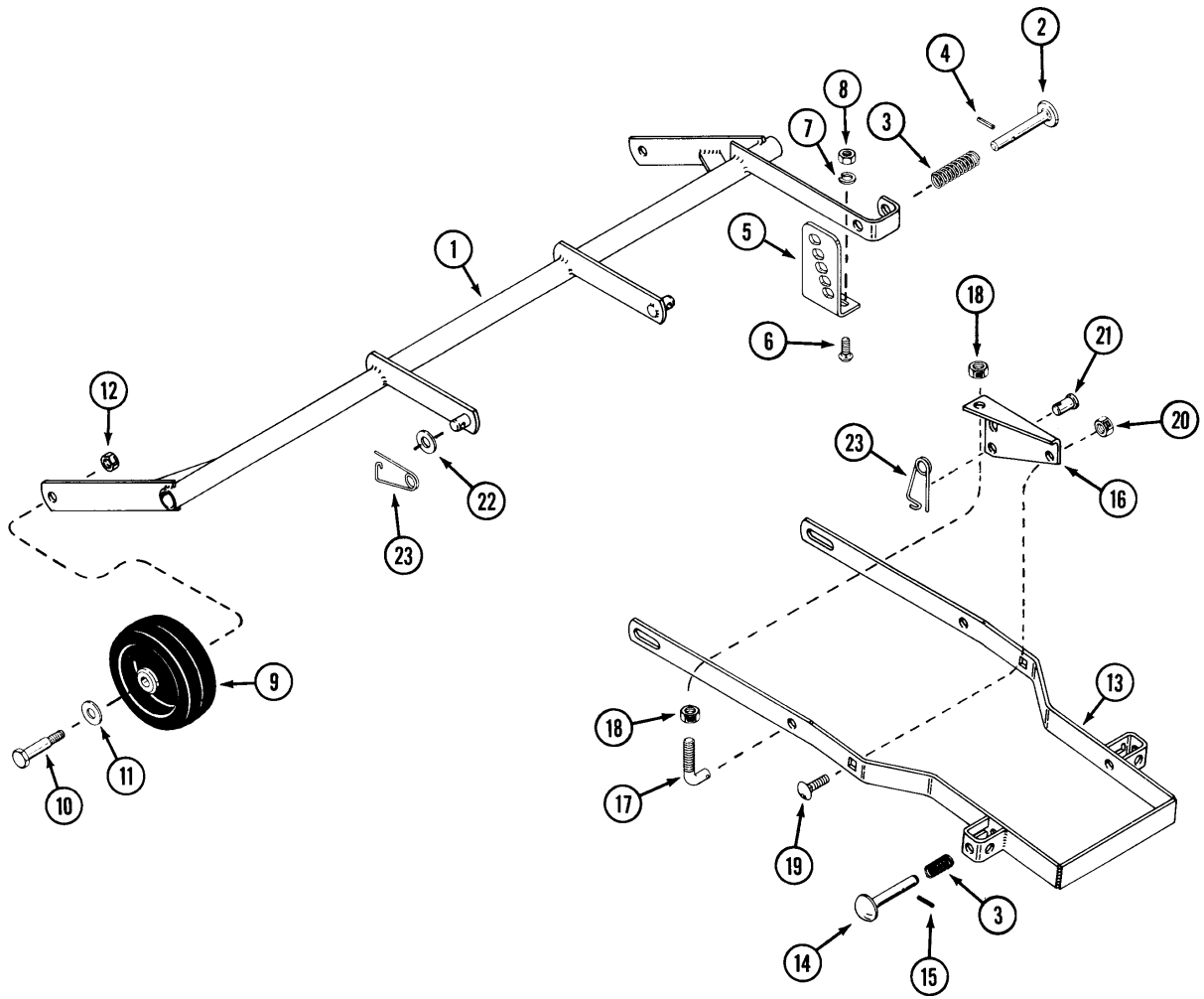
\* See page 1 5 if this mower  
is used on tractor model  
116 prior to PIN 14066900

**INDEX****SPINDLE ASSEMBLY**

REF.	PART NO.	DESCRIPTION	REQ'D
1	C30729 *	HOUSING - spindle.....	3
2	C28971	BEARING - spindle .....	6
3	C29453	SPACER - bearing .....	3
4	C25542	ADAPTOR - spindle .....	3
5	C31452	WASHER.....	3
6	192-21	LOCKWASHER - 3/8" .....	3
7	113-233	BOLT - 3/8" - 16 x 1-3/4" .....	3
8	C30122	SPINDLE - outboard .....	2
9	C29431	SPACER - spindle.....	3
10	C29464	BLADE - 14-1/2" (370 mm) .....	3
11	C29691	SCREW - 5/16" x 1" self-tapping.....	12
12	C29466	SPINDLE - center.....	1
13	131-938	NUT - 3/8" flange lock .....	12
14	113-207	BOLT - 3/8" - 16 x 1" .....	12

\* If original housing had threaded mounting  
holes also use (4) of 113-207 bolt and (4)  
of 131-938 lock nut.

N42 ROTARY MOWER

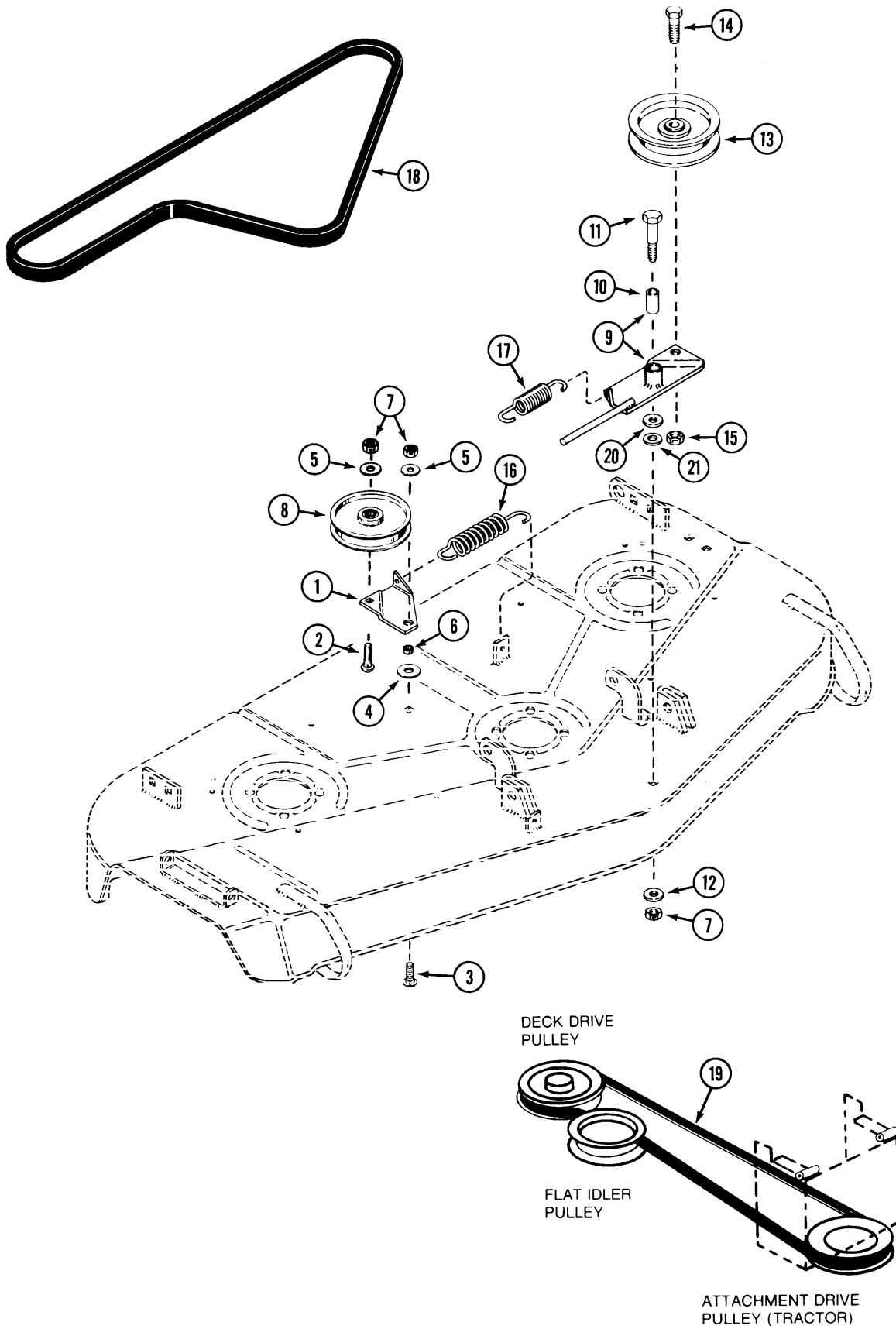


**N42 ROTARY MOWER**

**AXLE AND MOUNTING BRACKETS**

REF.	PART NO.	DESCRIPTION	REQ'D
1	C29470	AXLE - rear .....	1
2	C20005	PIN - height adjust.....	1
3	C10482	SPRING - compression.....	1
4	138-96	PIN - roll 3/16" x 1".....	1
5	C26086	BRACKET - height adjust.....	1
6	111-132	BOLT - 5/16" - 18 x 3/4" carriage.....	2
7	192-20	LOCKWASHER - 5/16".....	2
8	129-102	NUT - 5/16".....	2
9	C26736	WHEEL - gauge.....	2
10	C16745	BOLT - shoulder.....	2
11	195-533	WASHER - 1/2".....	2
12	131-1181	NUT - 3/8" - 16 lock.....	2
13	C29473	FRAME - mounting.....	1
14	C15278	PIN - latch.....	2
15	138-99	PIN - roll 3/16" x 1-3/8".....	2
16	C27118	BRACKET - suspension adjust R.H. (shown).....	1
16	C27119	BRACKET - suspension adjust L.H.....	1
17	C19088	BOLT - "J" suspension adjust.....	2
18	131-1182	NUT - 1/2" - 13 lock.....	4
19	111-517	BOLT - 1/2" - 13 x 1" carriage.....	2
20	131-1308	NUT - 1/2" lock.....	2
21	C10821	PIN - clevis.....	2
22	195-533	WASHER - 1/2".....	2
23	C10898	PIN - safety.....	4

N42 ROTARY MOWER



**N42 ROTARY MOWER**

**IDLER PULLEYS AND BELTS**

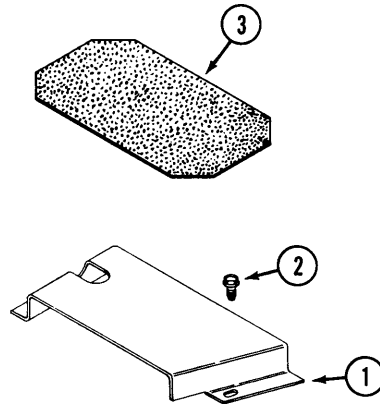
REF.	PART NO.	DESCRIPTION	REQ'D
1	C25080	BRACKET - idler .....	1
2	111-366	BOLT - 3/8" - 16 x 1-1/4" carriage .....	1
3	111-371	BOLT - 3/8" - 16 x 1" carriage .....	1
4	195-105	WASHER - 1/2" .....	1
5	195-525	WASHER - 3/8" .....	2
6	C14768	SPACER - idler bracket.....	1
7	131-1181	NUT - 3/8" lock .....	3
8	C12251	PULLEY - idler, deck belt.....	1
9	C27109	ARM ASSEMBLY - idler.....	1
10	C16714	BUSHING - sleeve.....	1
11	C16745	BOLT - shoulder .....	1
12	195-2029	WASHER.....	2
13	C26090	PULLEY - idler, drive belt.....	1
14	113-410	BOLT - 1/2"-13 x 1-1/2" .....	1
15	131-164	NUT - 1/2".....	1
16	C14482	SPRING - idler, deck belt.....	1
17	C24321	SPRING - idler, drive belt.....	1
18	C22707	BELT - deck .....	1
19	C29476	BELT - drive .....	1
20	195-533	WASHER - spacer .....	1
21	C29812	WASHER - spacer .....	1

**INDEX**

## MODEL N42 AND N43 ROTARY MOWERS

### COVER KIT for N42 MOWER

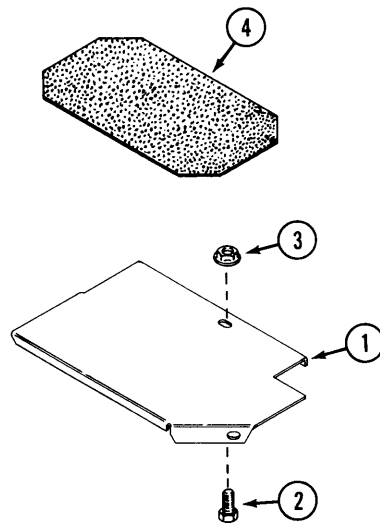
(If this mower is used on tractor model 116 prior to PIN 14066900)



**INDEX**

### COVER KIT for N43 MOWER

(If this mower is used on tractor models 110-all, 116 prior to PIN 14066900)



**MODEL N42 AND N43 ROTARY MOWERS**

**COVER KIT for N42 MOWER**

(If this mower is used on tractor model 116 prior to PIN 14066900)

REF.	PART NO.	DESCRIPTION	REQ'D
	C29671	KIT - mower cover .....	1
1	C29669	COVER EXTENSION - L.H. ....	1
1	C29670	COVER EXTENSION - R.H. (shown).....	1
2	187-1036	BOLT - 1/4" - 20 self-tapping .....	2
3	C26092	PAD - foot rest .....	2

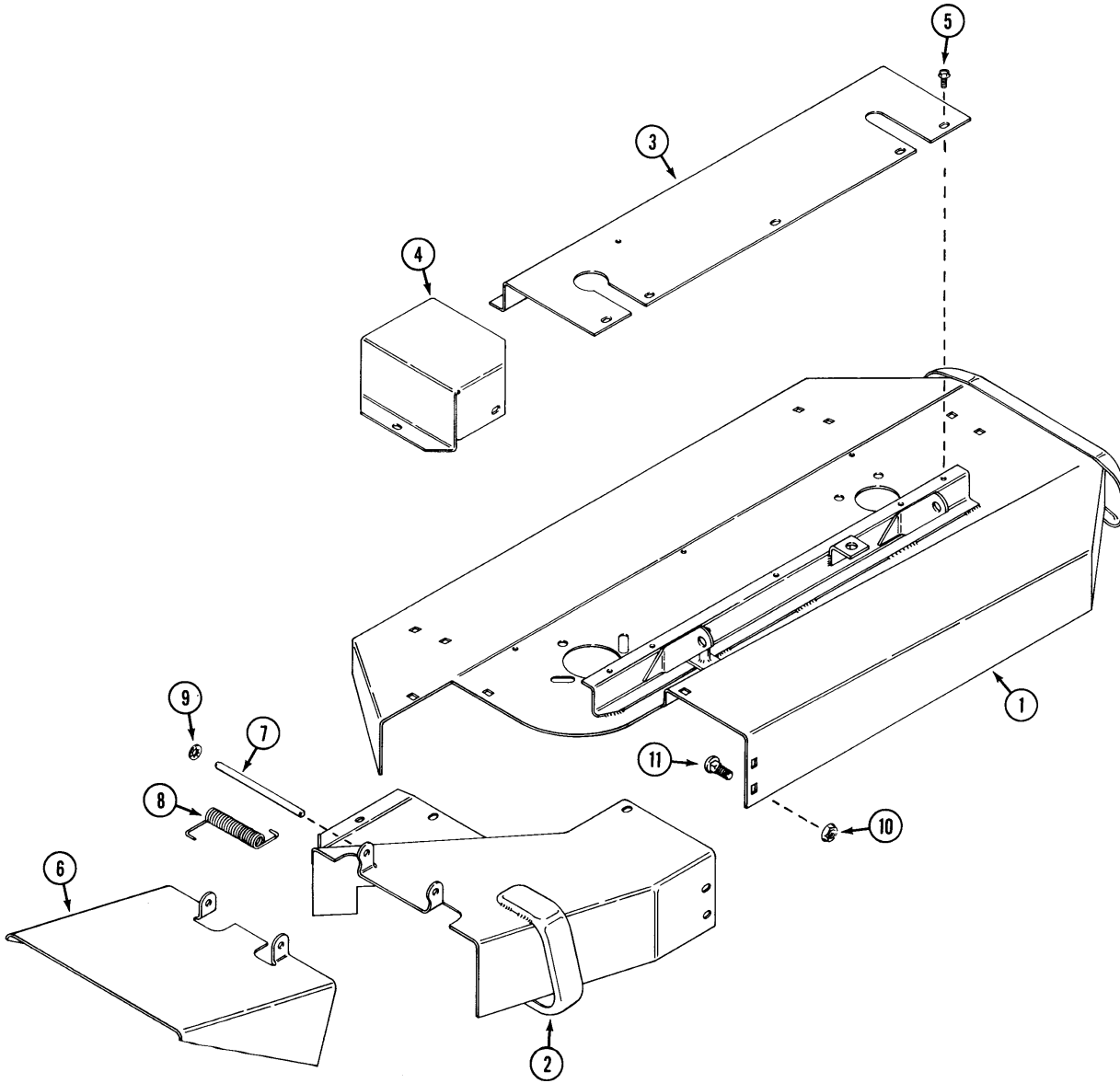
**COVER KIT for N43 MOWER**

(If this mower is used on tractor models 110-all, 116 prior to PIN 14066900)

	C29674	KIT - mower cover .....	1
1	C29672	COVER - L.H. ....	1
1	C29673	COVER - R.H. (shown) .....	1
2	113-2	BOLT - 1/4" - 20 x 5/8" .....	2
3	131-934	NUT - 1/4" 20 flange.....	2
4	C26092	PAD - foot rest.....	2



P42 AND RM42 ROTARY MOWER

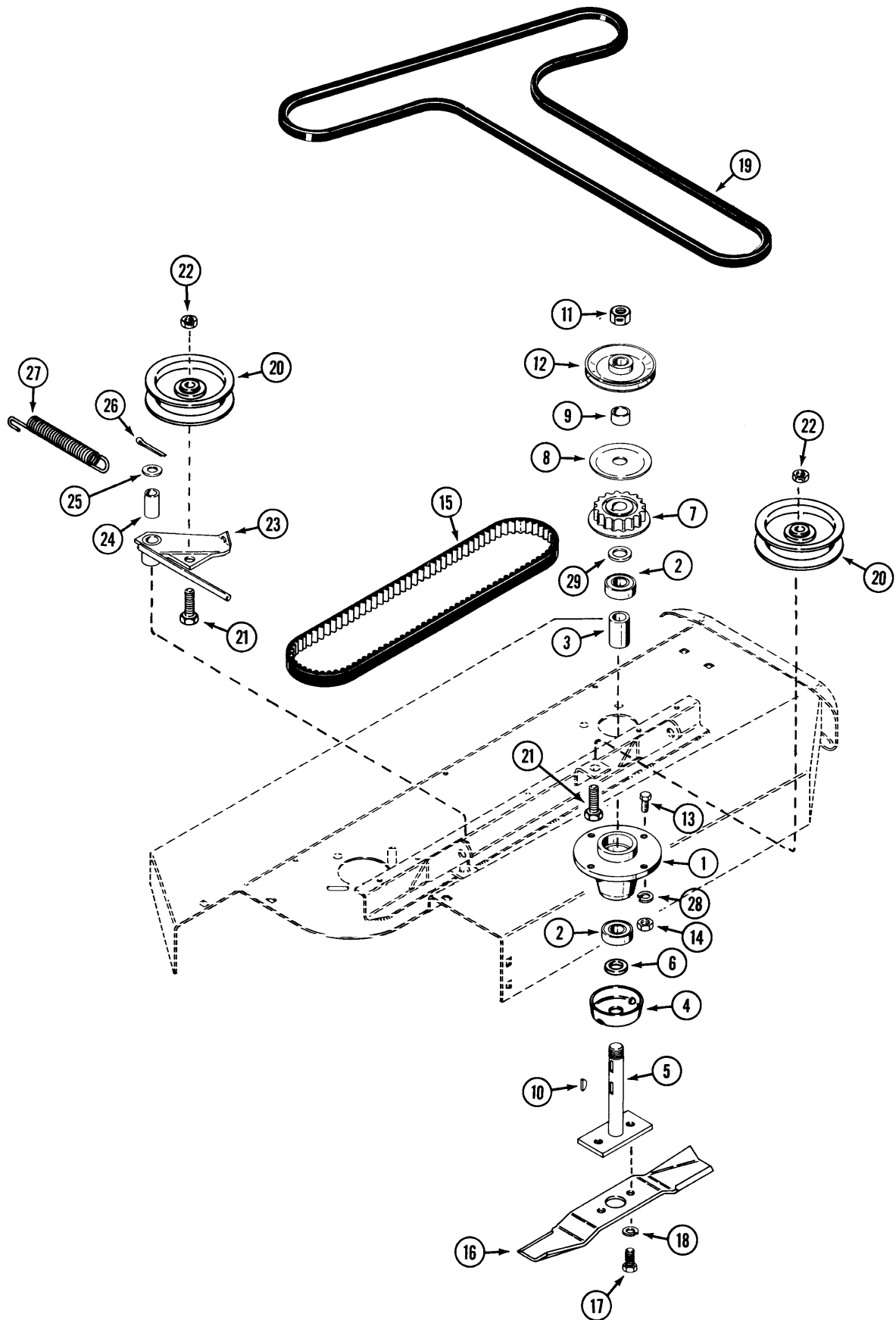


**P42 AND RM42 ROTARY MOWER**

**DECK AND CHUTE**

<b>REF.</b>	<b>PART NO.</b>	<b>DESCRIPTION</b>	<b>REQ'D</b>
1	C30715	DECK-mower .....	1
2	C30724	CHUTE - mower .....	1
3	C30738	COVER - belt .....	1
4	C30741	COVER - end, belt .....	2
5	187-1036	SCREW - 1/4" x 1/2" self-tap.....	12
6	C30744	DEFLECTOR - chute .....	1
7	C30766	PIN - hinge .....	1
8	C30767	SPRING - hinge .....	1
9	C30768	NUT - push .....	2
10	111-217	BOLT - 5/16" x 5/8" carriage .....	6
11	131-911	NUT - 5/16" flange lock .....	6

P42 AND RM42 ROTARY MOWER



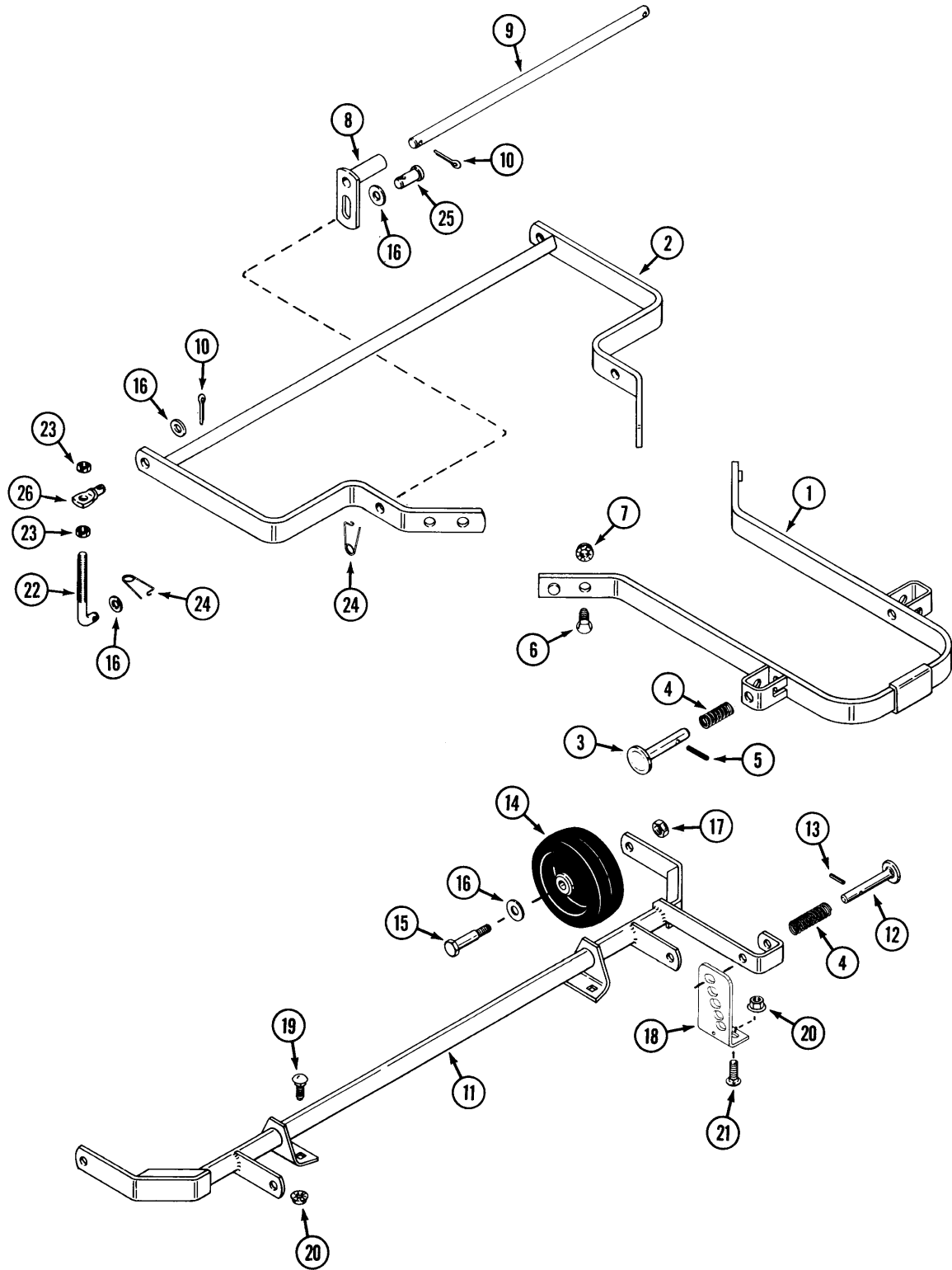
**P42 AND RM42 ROTARY MOWER**

**SPINDLES, BELTS AND PULLEYS**

REF.	PART NO.	DESCRIPTION	REQ'D
1	C30729	HOUSING - spindle.....	2
2	C28971	BEARING - spindle.....	4
3	C29453	SPACER - bearing.....	2
4	C25543	SHIELD - bearing.....	2
5	NSS	SPINDLE - mower (use C32421 and (2) of 126-13 key).....	2
6	C25541	SPACER - shield.....	2
7	C30732	SPROCKET - timing.....	2
8	C30733	RETAINER - belt, timing.....	2
9	C30734	SPACER - pulley and sprocket.....	2
10	126-13	KEY - woodruff 3/16" x 5/8.....	4
10	126-19	KEY - woodruff No. 11 3/16" x 7/8".....	4
11	131-1331	NUT - 3/4".....	4
12	C23452	PULLEY - drive.....	2
13	113-208	BOLT - 3/8" - 16 x 1-1/4".....	4
14	129-103	NUT-3/8".....	8
15	C30736	BELT - timing.....	1
16	C33275	BLADE - 21-3/8".....	2
17	113-206	BOLT - 3/8" x 3/4" (install with lock tite).....	4
18	192-21	LOCKWASHER - 3/8".....	4
19	C31216	BELT - drive 101.87" (was 99-1/2").....	1
20	C26090	PULLEY - backside idler.....	2
21	113-410	BOLT - 1/2" - 13 x 1-1/2".....	2
22	131-1182	NUT - 1/2" lock.....	2
23	C30746	ARM - idler.....	1
24	C16714	BUSHING.....	1
25	195-533	WASHER.....	1
26	132-310	PIN - cotter 1/8" x 1".....	1
27	C24321	SPRING - tension.....	1
28	192-21	LOCKWASHER - 3/8".....	8
29	C28972	WASHER.....	2

NOTE: Belt is correctly adjusted when you get 3/8" to 1/2" deflection at center of belt with 30 lb. pull.

P42 AND RM42 ROTARY MOWER



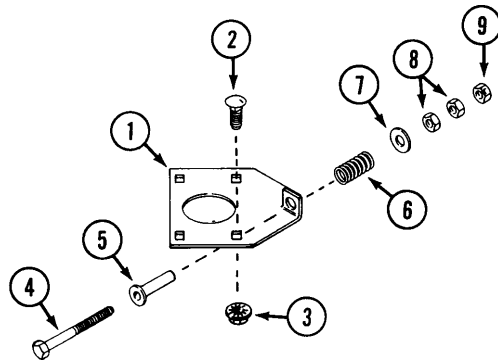
**P42 AND RM42 ROTARY MOWER**

**MOUNTING BRACKETS AND AXLE**

REF.	PART NO.	DESCRIPTION	REQ'D
1	C30882 *	BRACKET - mounting, front.....	1
2	C30884 *	BRACKET - mounting, rear.....	1
3	C15278	PIN - latch.....	2
4	C10482	SPRING - compression.....	3
5	138-2073	PIN - spiral 3/16" x 1-1/4".....	2
6	113-417	BOLT- 1/2" x 1-1/4".....	2
7	131-930	NUT - 1/2" flange lock.....	2
8	C30755	LINK - lift.....	2
9	C30758	ROD - lift.....	1
10	132-310	PIN - cotter 1/8" x 1".....	4
11	C30759	AXLE - rear.....	1
12	C20005	PIN - height adjust.....	1
13	138-96	PIN - roll 3/16" x 1".....	1
14	C26736	WHEEL - gauge.....	2
15	C16745	BOLT - shoulder.....	2
16	195-533	WASHER - 1/2".....	8
17	131-938	NUT - 3/8" - 16 lock flange.....	2
18	C31091	BRACKET - height adjust.....	2
19	111-132	BOLT - 5/16" x 3/4" carriage.....	4
20	131-911	NUT - flange lock 5/16".....	6
21	111-217	BOLT - 5/16" x 5/8" carriage.....	2
22	C17686	BOLT- "J".....	2
23	131-930	NUT - 1/2" flange.....	4
24	C10898	PIN - safety.....	4
25	141-56	PIN - clevis.....	2
26	C26033	LINK - adjust.....	2

\* Use both C30882 and C30884 for service for correct if used on P42 mower.

**P42 AND RM42 ROTARY MOWER**



**P42 AND RM42 ROTARY MOWER**

**BELT ADJUSTING PLATE**

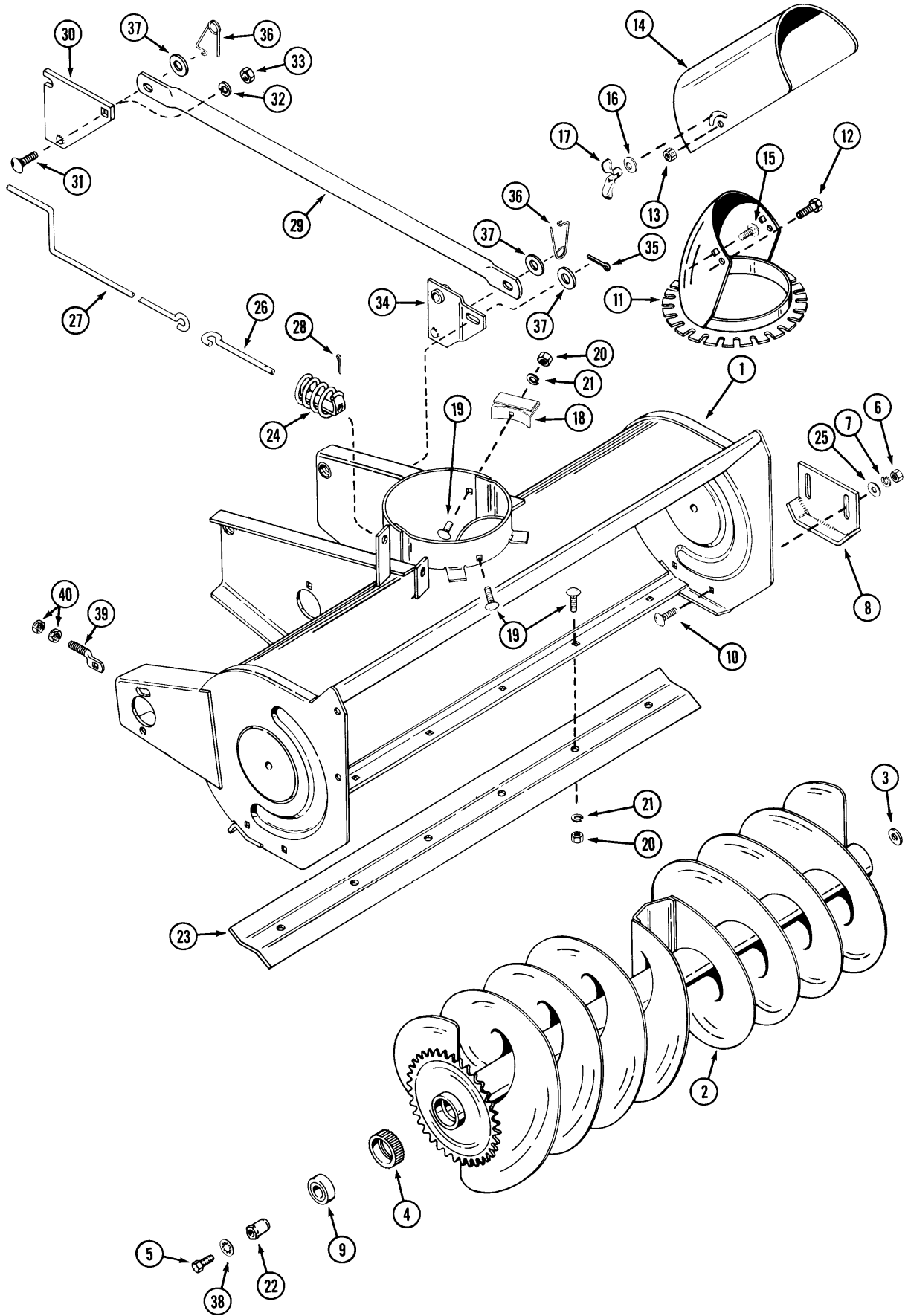
<b>REF.</b>	<b>PART NO.</b>	<b>DESCRIPTION</b>	<b>REQ'D</b>
1	C30735	PLATE - timing belt-adjusting.....	1
2	111-366	BOLT - 3/8" - 16 x 1-1/4" carriage.....	4
3	131-938	NUT - 3/8" flange lock.....	4
4	123-101	BOLT - 5/16" - 18 x 4".....	1
5	C25829	SPACER - sleeve (early production only).....	1
6	C25688	SPRING - compression (early production only).....	1
7	195-520	WASHER - .312" I.D. X .88" O.D.....	1
8	129-102	NUT - 5/16".....	2
9	131-931	NUT - 5/16" flange.....	1

**NOTE:** Belt is correctly adjusted when you get 1/2" to 3/8" deflection at center of belt with 30 lb. pull.



**INDEX**

**MODEL R82, S82, T82, SB38Y SNOWCASTER**

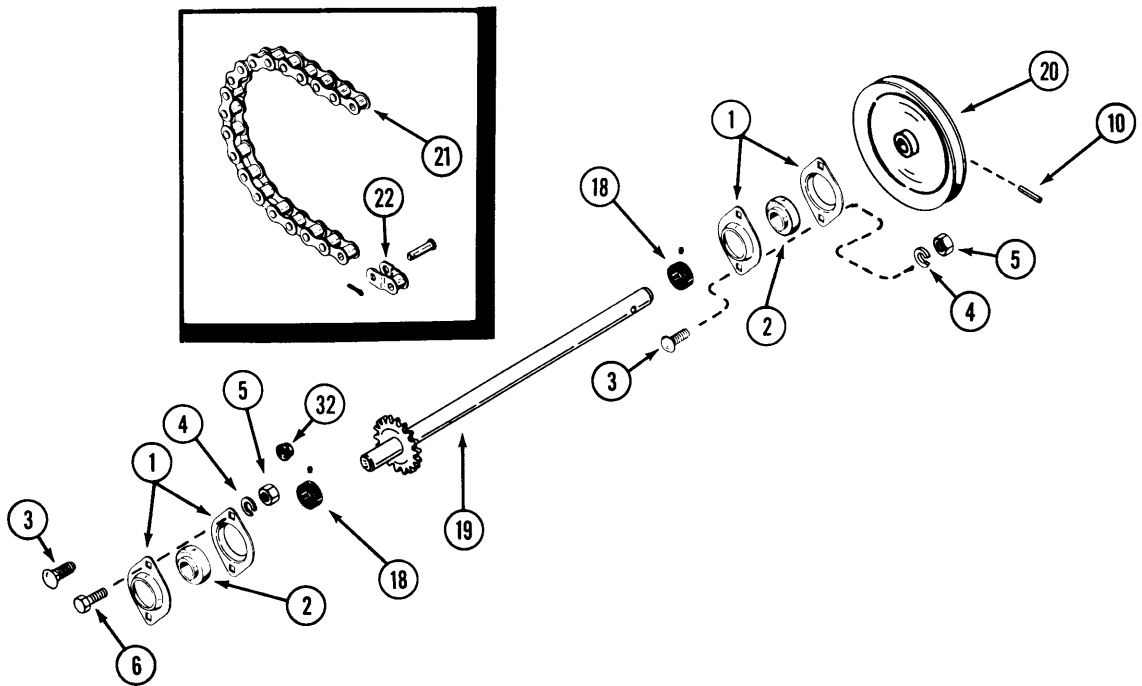
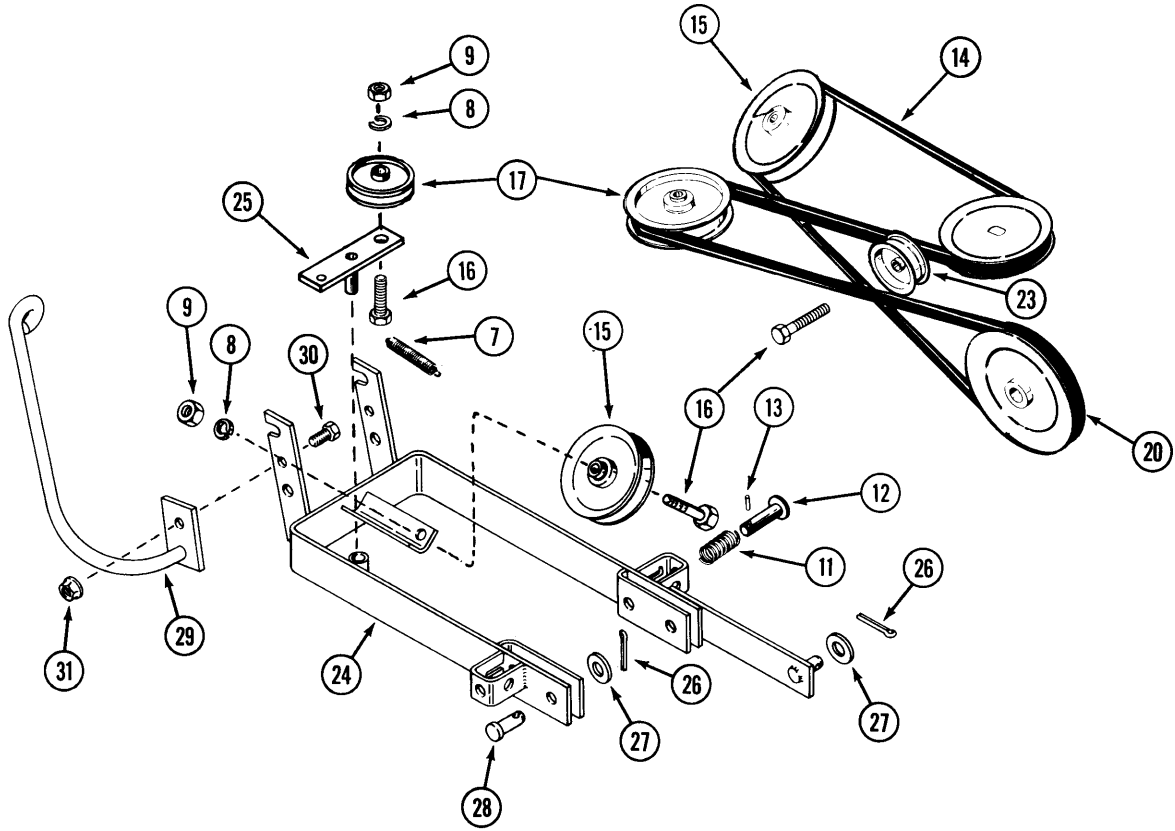


## MODEL R82, S82, T82 AND SB38Y SNOWCASTER

## AUGER AND CHUTE ASSEMBLY

REF.	PART NO.	DESCRIPTION	REQ'D
1	NSS	HOUSING - auger 38" (965 mm) (R82) (use C29875, C29877 and (2) of 111-202, 129-163, 131-911).....	1
1	C29875	HOUSING - auger 38" (965 mm) (S82, T82, SB38Y).....	1
2	C25206	AUGER - includes items 4, 9 and 22.....	1
3	195-522	WASHER - spacer.....	UAR
4	C25840	SLEEVE - bearing.....	2
5	121-226	BOLT - 3/8" NC x 1" (use lock tite for installation) lock.....	2
6	131-938	NUT - 3/8" NC hex flange.....	4
7	192-21	LOCKWASHER - 3/8" (early production).....	4
8	C17775	SKID - shoe.....	2
9	C28971	BEARING - auger.....	1
10	111-340	BOLT - 3/8" - 16 x 3/4" carriage.....	4
10	111-371	BOLT - 3/8" NC x 1" carriage.....	4
11	C15248	CHUTE - discharge.....	1
12	113-1	BOLT - 1/4" NC x 1/2" hex.....	2
13	131-1102	NUT - 1/4" NC hex lock.....	2
14	C16940	DEFLECTOR.....	1
15	111-340	BOLT - 3/8" NC x 3/4" carriage.....	2
16	C28263	WASHER - dished 25/64" x 1".....	2
17	C22774	WING NUT - deflector lock.....	2
18	C15334	BRACKET - chute hold down.....	3
19	111-132	BOLT - 5/16" NC x 3/4" carriage.....	9
20	131-911	NUT - 5/16" NC hex flange.....	9
21	192-20	LOCKWASHER - 5/16" (early production).....	9
22	C25841	SHAFT - stub.....	2
23	C17878	BLADE - scraper.....	1
24	C24640	COIL - chute control.....	1
25	195-525	WASHER - 3/8" plain (early production).....	6
26	C24643	ROD - chute control.....	1
27	C24644	CRANK - chute control.....	1
28	132-300	PIN - cotter 1/8" x 7/8".....	1
29	C29684	ROD - lift.....	1
30	C29663	PLATE - lift adapter.....	1
31	111-524	BOLT - 1/2" - 13 x 1-1/2" carriage.....	1
32	192-23	LOCKWASHER - 1/2".....	1
33	129-105	NUT - 1/2" - 13 hex.....	1
34	C29685	BELLCRANK - lift.....	1
35	132-310	PIN - cotter 1/8" x 1".....	1
36	C10898	PIN - safety.....	2
37	195-533	WASHER - 1/2".....	4
39	C29877	SCREW - chain adjust (S82, T82, SB38Y).....	1
40	129-163	NUT - 3/8" - 24 lock (S82, T82, SB38Y).....	2

MODEL R82, S82, T82, SB38Y SNOWCASTER

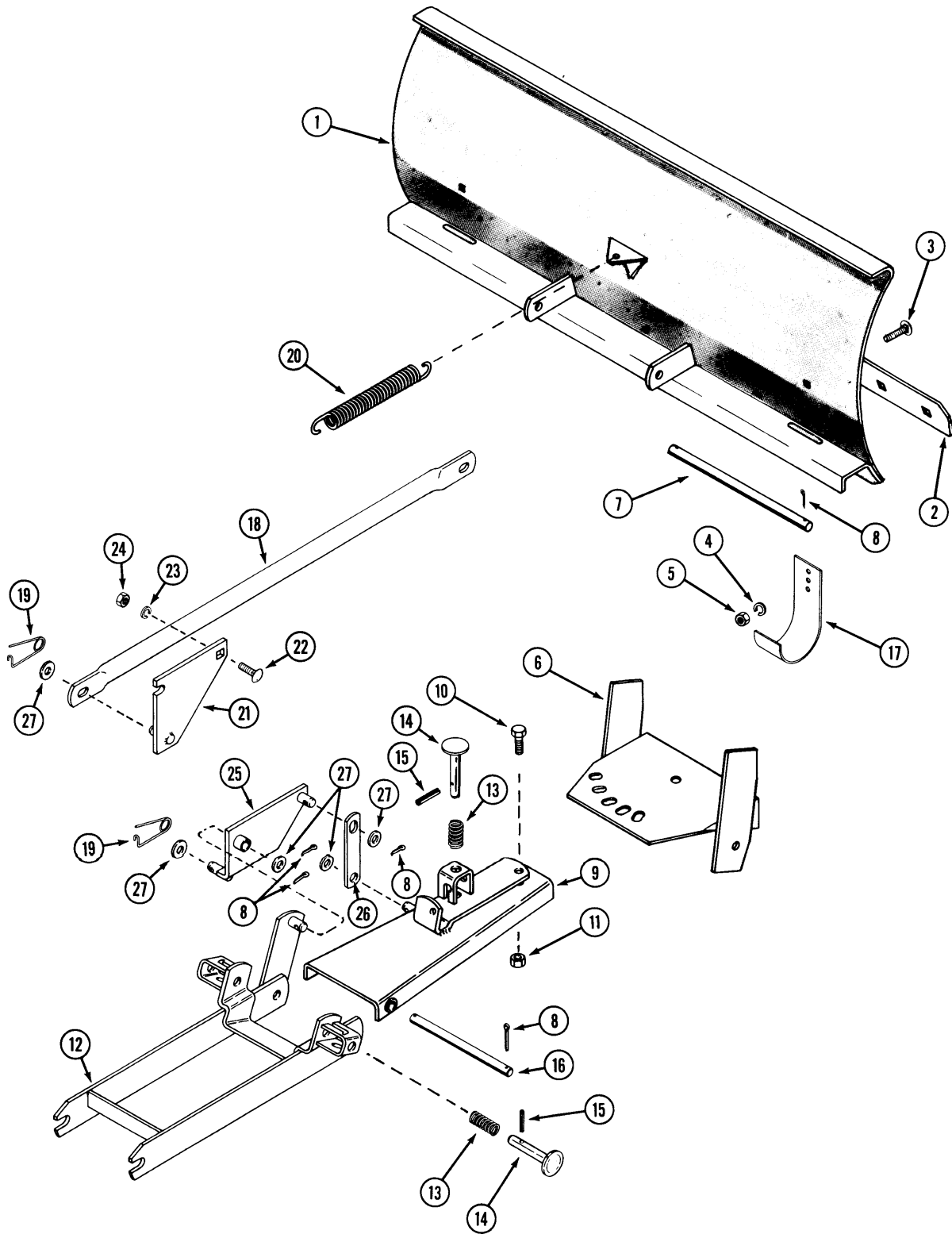


**MODEL R82, S82, T82, SB38Y SNOWCASTER**

**MOUNTING COMPONENTS AND DRIVE ASSEMBLY**

REF.	PART NO.	DESCRIPTION	REQ'D
1	C28277	FLANGETTE .....	4
2	C28817	BEARING - 3/4" (includes locking collar) .....	2
3	111-132	BOLT - 5/16" - 18 x 3/4" carriage .....	UAR
4	192-20	LOCKWASHER - 5/16" (early production) .....	4
5	131-911	NUT - 5/16" hex flange.....	4
6	113-102	BOLT - 5/16" - 18 x 3/4" .....	2
7	C19553	SPRING - extension.....	1
8	192-21	LOCKWASHER - 3/8" .....	3
9	129-103	NUT - 3/8" - 16 .....	3
10	138-2040	PIN - spiral 1/4" x 1-1/2" .....	1
11	C10482	SPRING - compression.....	2
12	C15278	PIN - latch.....	2
13	138-2073	PIN - spiral 3/6" x 1-1/4" .....	2
14	C29680	BELT - drive .....	1
15	C15329	PULLEY - "V" idler.....	1
16	113-233	BOLT - 3/8" - 16 x 1-3/4" .....	3
17	C15343	PULLEY - idler 4-1/2 .....	1
18	C29024	COLLAR - locking (included with bearing) .....	2
19	C19733	SHAFT - drive .....	1
20	C19731	PULLEY - drive shaft.....	1
21	C18183	CHAIN - auger drive #40.....	1
22	C28983	LINK - offset #40.....	1
	C28982	LINK - connecting #40 .....	1
23	C23535	PULLEY - idler 2-1/2" (64 mm).....	1
24	C29681	BRACKET - mounting .....	1
25	C15296	ARM - idler .....	1
26	132-310	PIN - cotter 1/8" x 1".....	3
27	195-533	WASHER - 1/2" .....	3
28	C29693	PIN - clevis 1/2" x 1-3/4".....	2
29	C29687	SUPPORT - chute crank.....	1
30	113-207	BOLT - 3/8" - 16 x 1" .....	1
31	131-938	NUT - 3/8" - 16 flange lock.....	1
32	131-911	NUT - 5/16" - 18 flange lock (S82, T82, SB38Y).....	1

MODEL L52, M52 AND UB38 UTILITY BLADE

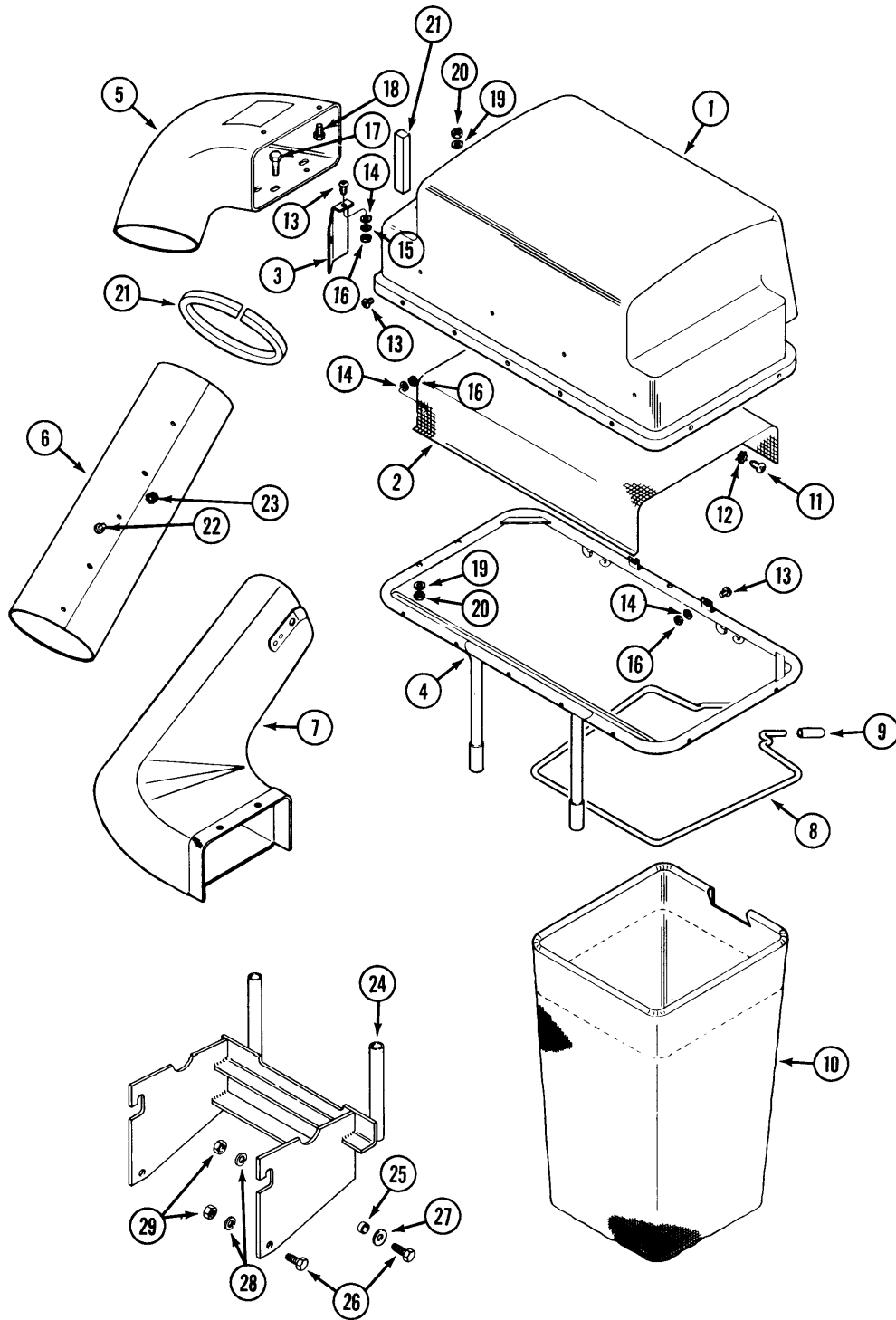


## MODEL L52, M52 AND UB38 UTILITY BLADE

## UTILITY BLADE

REF.	PART NO.	DESCRIPTION	REQ'D
1	C15461	BLADE ASSEMBLY - 38" (965 mm) .....	1
2	C15462	EDGE - cutting .....	1
3	111-132	BOLT - 5/16" - 18 x 3/4" carriage .....	8
3	111-203	BOLT - 5/16" x 1" NC carriage .....	UAR
4	192-20	LOCKWASHER - 5/16" .....	UAR
5	129-102	NUT - 5/16" NC hex .....	UAR
6	C15494	PIVOT - blade .....	1
7	C15495	PIN - blade pivot .....	1
8	132-310	PIN - cotter 1/8" x 1" .....	7
9	C29659	BRACKET - push .....	1
10	113-417	BOLT - 1/2" x 1-1/4" NC hex .....	1
11	131-165	NUT - 1/2" NC hex .....	1
12	C29661	BRACKET - mounting .....	3
13	C10482	SPRING - compression .....	3
14	C15278	PIN - latch .....	3
15	138-99	PIN - roll 3/16" x 1-3/8" .....	3
16	C29912	PIN - bracket pivot .....	1
17	C15469	SHOE - skid .....	2
18	C29668	ROD - lift .....	1
19	C10898	PIN - safety .....	2
20	C27779	SPRING - blade extension .....	1
21	C29663	PLATE - adapter .....	1
22	111-524	BOLT - 1/2" - 13 x 1-1/2" carriage .....	1
23	192-23	LOCKWASHER - 1/2" .....	1
24	129-105	NUT - 1/2" - 13 .....	1
25	C29665	BELLCRANK - lift .....	1
26	C29667	LINK - connecting .....	1
27	195-533	WASHER - 1/2" .....	5
28	131-911	NUT - 5/16" - 18 flange lock .....	8

B97 BAGGER



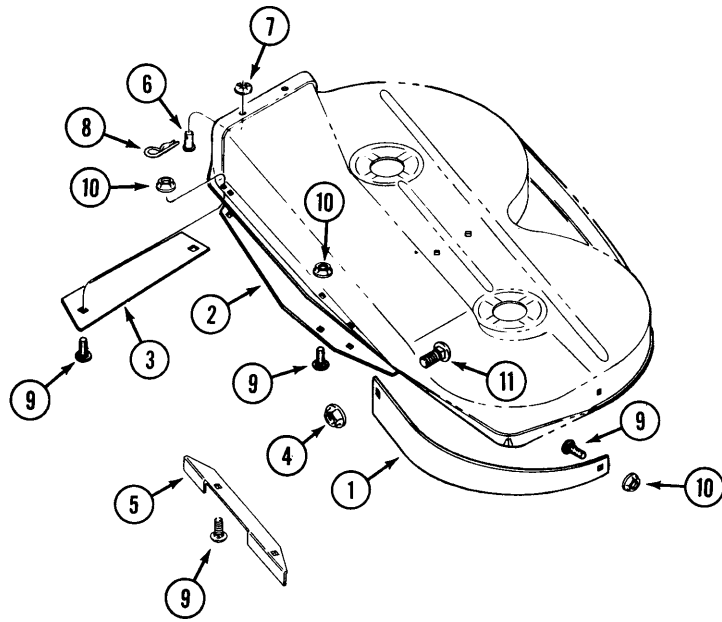
**B97 BAGGER**

**BAGGER ASSEMBLY**

REF.	PART NO.	DESCRIPTION	REQ'D
1	C29489	COVER - bagger .....	1
2	C29490	SCREEN - cover .....	1
3	C29491	PLATE - shield .....	1
4	C29492	HANGER - hopper .....	1
5	C29493	EXTENSION - upper chute .....	1
6	NSS	TUBE - clear plastic (use C30105 and C30106 before S/N BU10990) shown.....	1
6	C30105	TUBE - discharge (use S/N BU10990 and after) .....	1
7	NSS	BOOT - mower (use C30105 and C30106 before S/N BU10990) shown .....	1
7	C30106	BOOT - mower (use S/N BU10990 and after) .....	1
8	C29498	ROD - hopper support.....	2
9	C29178	GRIP - handle .....	4
10	C28438	HOPPER - bagger.....	2
11	187-1738	SCREW - #10 x 1/2" self-tapping.....	9
12	193-42	LOCKWASHER - #10 external tooth .....	9
13	182-524	SCREW - #10 x 5/8".....	12
14	195-513	WASHER - #10 .....	12
15	192-18	LOCKWASHER - #10 .....	12
16	129-17	NUT - #10.....	12
17	113-5	BOLT - 1/4" x 1-1/2" .....	2
18	113-3	BOLT - 1/4" x 3/4" .....	2
19	195-518	WASHER - 1/4" .....	4
20	131-1180	NUT - 1/4" lock.....	4
21	C24610	SEAL - chute (cut to fit).....	2
22	182-516	SCREW - #10 x 3/8" (use before S/N BU10990).....	5
23	193-1004	NUT - #10 washer head (use before S/N BU10990) .....	5
24	C29500	BRACKET - mounting .....	1
25	C14768	SPACER.....	2
26	113-207	BOLT - 3/8" x 1" .....	4
27	195-525	WASHER - 3/8" .....	2
28	192-21	LOCKWASHER - 3/8" .....	4
29	129-103	NUT - 3/8".....	4



B97 BAGGER



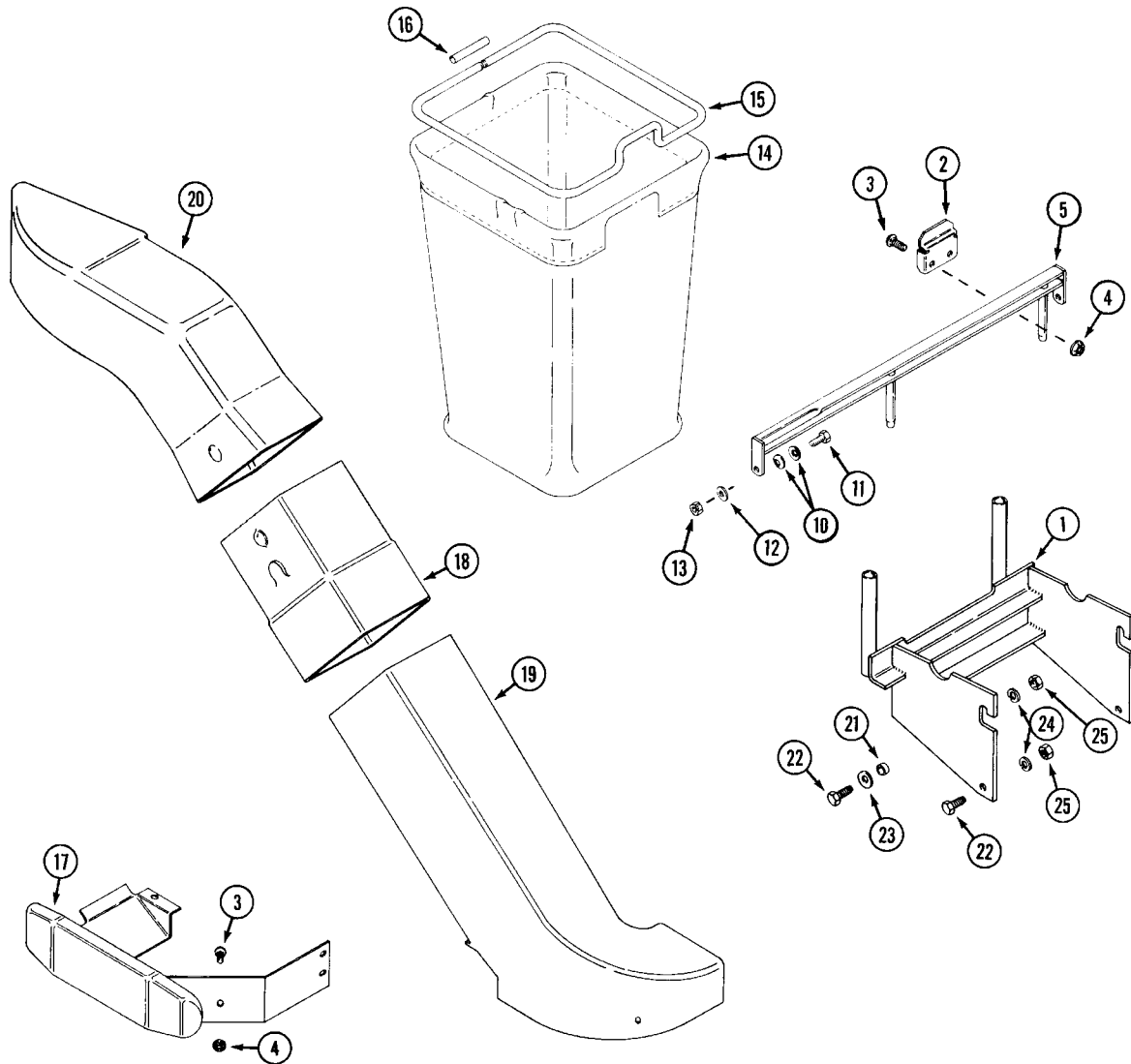
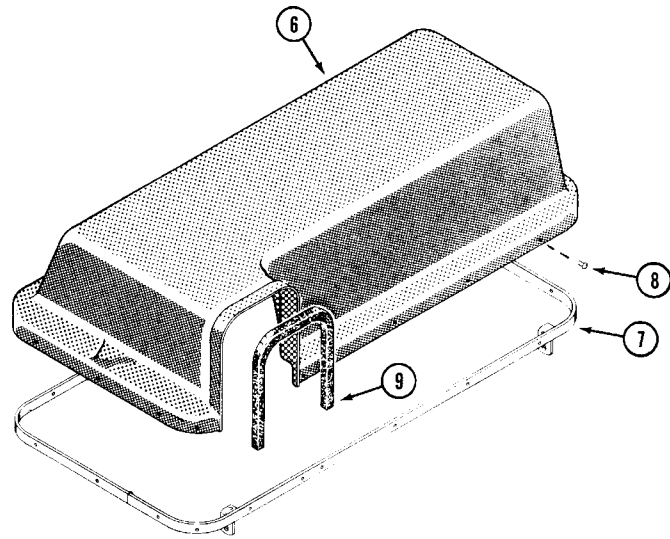
**INDEX**

**B97 BAGGER**

**BAFFLES**

REF.	PART NO.	DESCRIPTION	REQ'D
1	C29482	BAFFLE - L.H.....	1
2	C29483	BAFFLE - front.....	1
3	C29484	BAFFLE - R.H.....	1
4	131-938	NUT - flange lock 3/8".....	1
5	C29486	BAFFLE - chute.....	1
6	141-3	PIN - clevis.....	2
7	193-92	NUT - push.....	2
8	C16450	PIN - cotter.....	2
9	111-1 32	BOLT - 5/16" x 3/4" carriage.....	9
10	131-911	NUT - flange lock 5/16".....	9
11	111-371	BOLT - 3/8" - 16 x 1" carriage.....	1

B96SA AND BG48 BAGGER

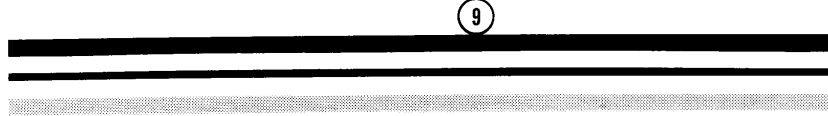


**B96SA AND BG48 BAGGER**

**BAGGER ASSEMBLY**

REF.	PART NO.	DESCRIPTION	REQ'D
1	C29513	BRACKET - mounting .....	1
2	C28436	BRACKET - retaining, hopper .....	1
3	111-132	BOLT - 5/16" x 3/4" carriage .....	12
4	131-911	NUT - 5/16" flange lock .....	5
5	C28434	FRAME - support .....	1
6	C32101	COVER - bagger .....	1
7	C29871	HINGE - cover .....	1
8	151-88	RIVET - 3/16" x 5/16" .....	17
9	C24610	SEAL-chute .....	1
10	C25114	SPRING WASHER - Belleville .....	4
11	113-103	BOLT - 5/16" - 18 x 1" .....	2
12	195-521	WASHER - 5/16" .....	2
13	131-176	NUT - 5/16" - 18 lock .....	2
14	C28438	BAG - grass .....	2
15	C28439	ROD - bag, support .....	2
16	C28440	TUBE - retaining .....	2
17	C30777	SKID - mower, R.H. ....	1
18	C30773	CHUTE - middle .....	1
19	C30774	CHUTE - lower .....	1
20	C28448	CHUTE - upper .....	1
21	C14768	SPACER .....	2
22	113-207	BOLT - 3/8" x 1" .....	4
23	195-525	WASHER - 3/8" .....	2
24	192-21	LOCKWASHER - 3/8" .....	4
25	129-103	NUT-3/8" .....	4

# INGERSOLL



1

**! WARNING**

**FLYING DEBRIS**  
OPERATE MOWER ONLY  
WITH DISCHARGE CHUTE  
GUARD/COVER OR COMPLETE  
GRASS CATCHER IN PLACE.  
DEBRIS MAY CAUSE INJURY

CA

11

**! CAUTION**

KEEP HANDS AND FEET  
CLEAR OF THIS AREA  
BLADE TILTS WITH  
SPRING TRIP ACTION  
PINCH POINTS  
COULD CAUSE  
PERSONAL INJURY

CA 321-6680

2

**! DANGER**

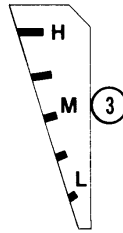
**SPINNING BLADE**  
SEE OPERATOR'S MANUAL BEFORE  
ATTEMPTING TO CLEAR PLUGGED  
DISCHARGE CHUTE.  
CONTACT WITH BLADE CAN RESULT IN  
SERIOUS INJURY.

CA 321-4447

**! WARNING**

**ROTATING AUGER**  
TO AVOID SEVERE INJURY,  
KEEP HANDS OUT OF AUGER AND DISCHARGE  
CHUTE WHILE ENGINE IS RUNNING

CA 321-4188



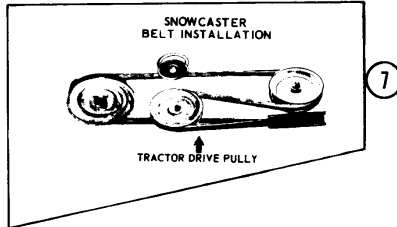
**! DANGER**

**SPINNING BLADE**  
KEEP CLEAR  
CONTACT CAN INJURE

CA 321-4447

5

**NO STEP**



**! CAUTION**

**FLYING DEBRIS**  
1. DO NOT RAISE COVER WHILE OPERATING.  
2. PROPERLY INSTALL BAGGER AND CHUTE  
BEFORE STARTING MOWER. SEE OPERATOR'S  
MANUAL FOR FURTHER INSTRUCTIONS.

CA 321-4188

**hi cast 38**

CA 321-4188

**38**

CA 321-4188

**MOWER, SNOWCASTER, UTILITY BLADE AND BAGGER**

**DECALS**

<b>REF.</b>	<b>PART NO.</b>	<b>DESCRIPTION</b>	<b>REQ'D</b>
1	C31086	DECAL - "Flying Debris" (B96SA, B97, N42, N43, P42, BG42, RM42).....	2
2	C31089	DECAL - "Spinning Blade" (B96SA, B97, BG42) .....	1
3	321-6433	DECAL - cutting height (N42, N43).....	1
4	C31087	DECAL - "Spinning Blade" (N42, N43, P42, RM42) .....	1
5	C12519	DECAL - "No Step" (N42, N43, P42, RM42).....	2
6	321-4199	DECAL - "auger warning" (R82, S82, T82, SB38Y).....	1
7	C16102	DECAL - drive belt (R82, S82, T82, SB38Y) .....	1
8	C27938	DECAL - HI CAST 38" (R82, S82, T82, SB38Y) .....	1
9	NSS	DECAL - stripe CR82, S82, T82, L52, M52) cut to length (use C31328) .....	1
10	C31989	DECAL - "INGERSOLL" CR82, S82, T82, L52, M52, SB38Y, UB38) ..	1
11	321-4686	DECAL - "Pinch Point" (L52, M52, UB38).....	1
12	C31046	DECAL - "38" (L52, M52, UB38) .....	1
13	C31088	DECAL - "CAUTION" (B96SA, BG42) .....	1
14	C31090	DECAL - cutting height (P42, RM42) .....	1